

Nexus Metalwork

泰州力信五金制造有限公司

Work Tirelessly to Make Contribution
to Global Green Transition



YOUTUBE



OFFICIAL WEBSITE

泰州力信五金制造有限公司

地址：江苏省泰州市姜堰区姜沈路118号
电话：86-523-88280018
传真：86-523-88280018
手机：86-13601472227
邮件：info@scaffcn.com
网址：<https://scaffcn.com>
<https://scaffoldingclamp.com>
<https://nexusscaffold.com>

TAIZHOU NEXUS METALWORK CO.,LTD.

Add: No.118, Jiangshen Road, Jiangyan District, Taizhou City, Jiangsu Province, China.
Tel: 86-523-88280018
Fax: 86-523-88280018
Mobile: 86-13601472227
Email: info@scaffcn.com
Website: <https://scaffcn.com>
<https://scaffoldingclamp.com>
<https://nexusscaffold.com>

Offer the parameters and characteristics of the sample are for reference only, NEXUS reserves the right to change product design and instructions, are subject to change without prior notice.



Product Brochure

- Edge Protection&Fencing System
- Collapsible Stillage
- Scaffolding Couplers&Screw Jacks

NEXUS

 **NEXUS**
scaffcn.com



Product Brochure >>>

Taizhou Nexus Metalwork Co.,Ltd

About NEXUS

Our Company	01
Workshop Show	02

Security Fencing System 03

1.CraneSafe Security Protection System	03
2. Site Hoarding System	06
3.Edge Protection System	10
4.Pedestrian Barrier Panel	12
5.Security Fencing Parts	13

Stillage 16

Scaffolding Accessories 20

1.Scaffolding Coupler	20
2.Scaffolding Screw Jack	25
3.Scaffolding C Type Clamps	27
4.Scaffolding Ledger End	29

Pergola Kits 32

Box Gutters 34

The information in this advertising material is for reference only.The products pecification should be subject to verification with technical data provided by themanufacturer.

About NEXUS Metalwork

Taizhou Nexus Metalwork Co.,Ltd located in Jiangyan City, Jiangsu Province, China, 2 hours far from Shanghai Pudong International Airport by car, with 20 years professional experiences in manufacturing BS EN 13374 standard edge protection system, site hoarding system, fencing system, vehicle & pedestrian access gate, BS EN 13626 stillage, and BS EN74BB scaffolding coupler, screw jack.



20+

Nexus Metalwork

Our Advantage Metalwork

A decade of supplying Haki, Mj-Gerüst, ALTRAD

Inspect **15%** more of our output than the competition

Provide quotation within **24 hours**, make sample within **7 days**

We own mature drop forging production line, laser cutting production line and automatic welding production line.

Our heavy-duty drop forged double and swivel couplers are fully compliant and tested to **BS EN74BB standard**

Site security guardrail systems to **BS EN13374 standard**.

Stillages to **BS EN 13626 standard**.

1-Forging



2-Laser Cutting



3-Welding



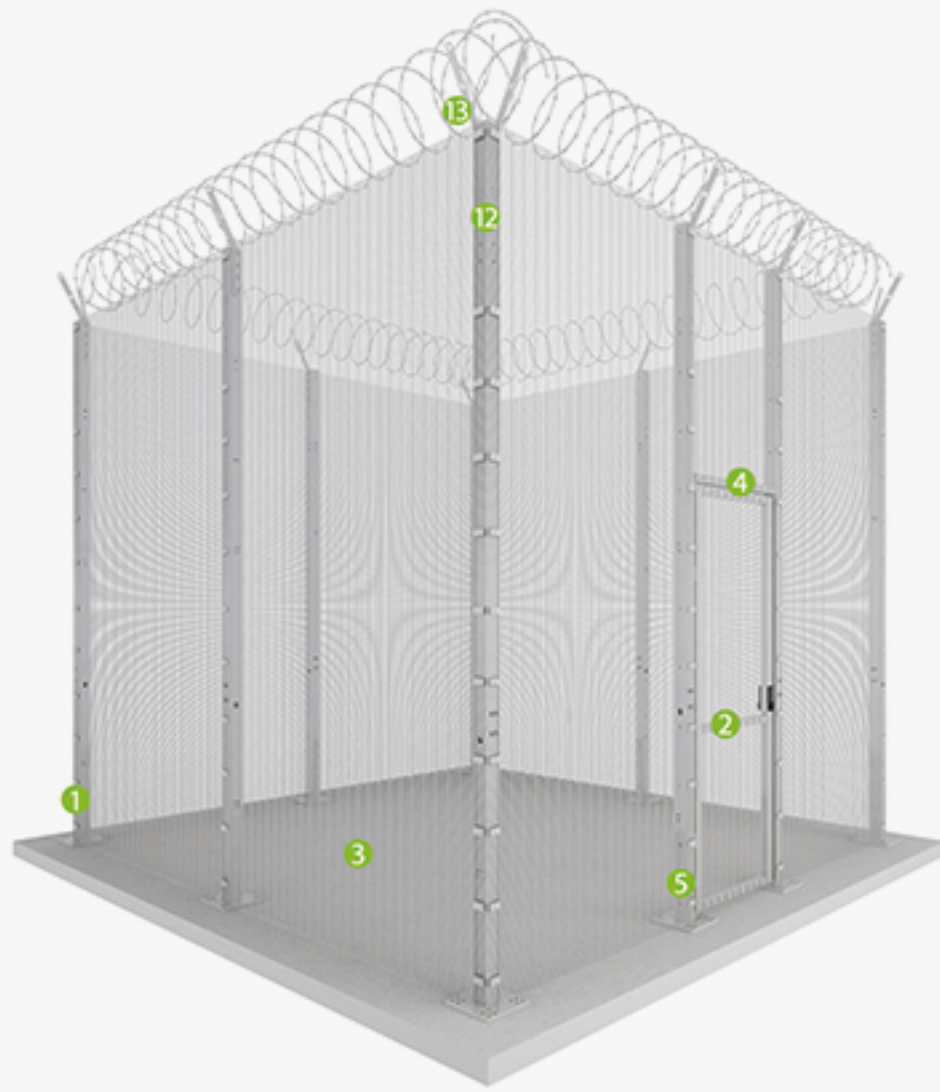
4-Polishing



5-Hot Dip Galvanized



CraneSafe Security Protection System



CraneSafe Security Protection System

It's a reliable companion dedicated to high-altitude work safety, it was erected around the crane, creating a secure environment within the workspace.

- Hot dip galvanizing EN ISO 1461 65µm
- Quick setup design
- Efficiently prevents individuals from entering hazardous zones
- Pedestrian access gate with smart combination lock



Specification	CraneSafe Security Protection System
Item No	NX-CRAN-001
Material	S235JR Steel
Weight	910kg
Surface finishing	Hot Dip Galvanized EN ISO 1461 65 µm
Customized	Yes, According to your request



Specification	Down Post
Item No	NX-CSPS-001
Material	S235JR Steel
Size	80x80x3x3000mm
Weight	60kgs
Surface Finishing	Hot Dip Galvanized EN ISO 1461 65µm

Specification	Pedestrian Gate
Item No	NX-CSPS-002
Material	S235JR Steel
Size	2235x705mm
Weight	50kgs
Surface Finishing	Black Powder Coating Hot Dip Galvanized EN ISO 1461 65µm

Specification (358 Wire Mesh)						
Size	1.557x3m	1.557x0.8m	1x0.69m	1x0.8m	2x0.8m	2x3m
Item No	NX-CSPS-003	NX-CSPS-016	NX-CSPS-004	NX-CSPS-017	NX-CSPS-018	NX-CSPS-005
Material	S235JR Steel	S235JR Steel	S235JR Steel	S235JR Steel	S235JR Steel	S235JR Steel
Weight	40kgs	10.9kgs	6kgs	7kgs	14kgs	40kgs
Surface Finishing	Powder Coating Hot Dip Galvanized EN ISO 1461 65µm					

Specification	Gate Header Bar
Item No	NX-CSPS-006
Material	S235JR Steel
Size	76x36x875mm
Weight	3.45kgs
Surface Finishing	Hot Dip Galvanized EN ISO 1461 65µm

Specification	Hinge Plate
Item No	NX-CSPS-007
Material	S235JR Steel
Size	80x80x40mm
Weight	0.35kgs
Surface Finishing	Hot Dip Galvanized EN ISO 1461 65µm

Specification	Slam Plate
Item No	NX-CSPS-008
Material	S235JR Steel
Size	32x42x120mm
Weight	0.36kgs
Surface Finishing	Hot Dip Galvanized EN ISO 1461 65µm

Specification	358 Mesh Panel Special Clip
Item No	NX-CSPS-009
Material	S235JR Steel
Size	61x31mm
Weight	0.04kgs
Surface Finishing	Hot Dip Galvanized EN ISO 1461 65µm



Specification	8mm Security Bolt
Item No	NX-CSPS-010
Material	304 Stainless Steel
Size	M8x30mm
Weight	0.01kgs
Surface Finishing	Self Color



Specification	M8 Coach Bolt
Item No	NX-CSPS-011
Material	35K Steel
Size	M8x60mm M8x100mm
Weight	0.05kgs
Surface Finishing	Electro Galvanized



Specification	M16 Hexagonal Bolt
Item No	NX-CSPS-012
Material	35K Steel Grade 8.8
Size	M16
Weight	0.127kgs
Surface Finishing	Electro Galvanized



Specification	M16 Half Lock Nut
Item No	NX-CSPS-013
Material	35K Steel Grade 8
Size	M16
Weight	0.03kgs
Surface Finishing	Electro Galvanized



Specification	Extension Post
Item No	NX-CSPS-014
Material	S235JR Steel
Size	Length:600mm 80x80/60x60/ Tube
Weight	6.35kgs
Surface Finishing	Hot Dip Galvanized EN ISO 1461 65µm

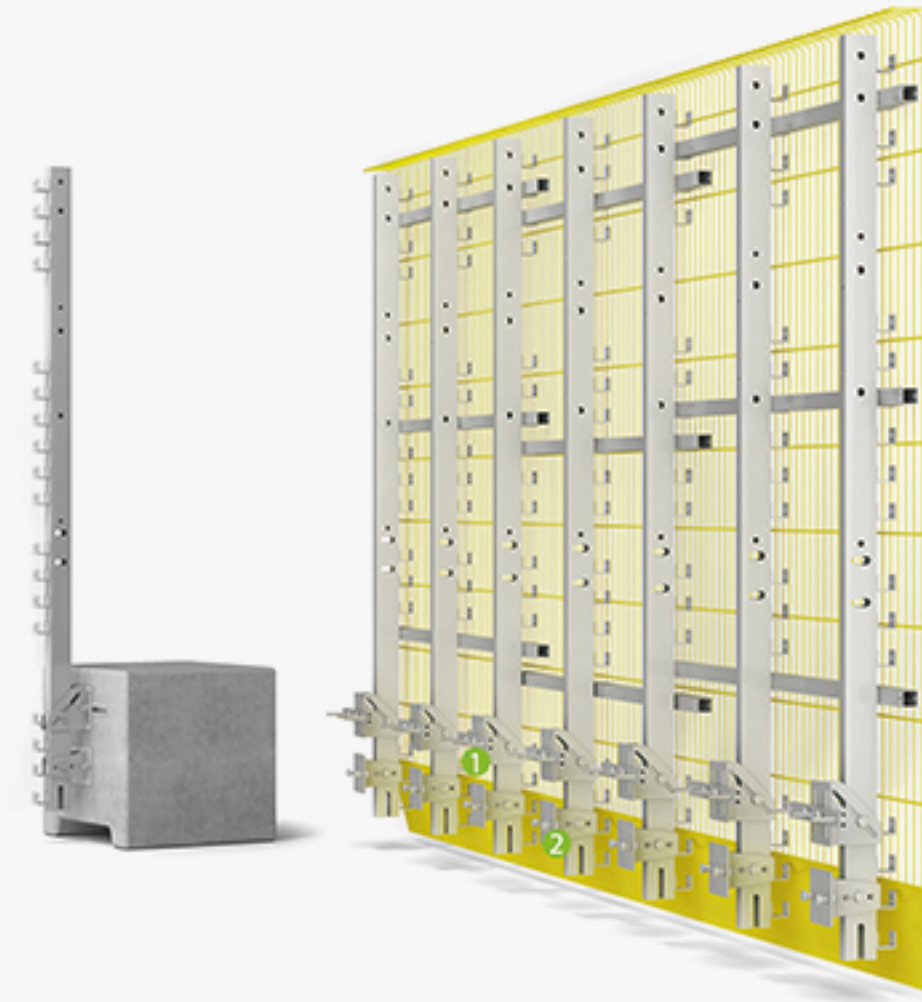


Specification	Anti-Climb Roller Bracket
Item No	NX-CSPS-015
Material	S235JR Steel
Size	Thickness:5mm Length:255+380mm
Weight	0.92kgs
Surface Finishing	Hot Dip Galvanized EN ISO 1461 65µm



Specification	Nexus Digital Gate Lock
Item No	NX-CSPSE-019

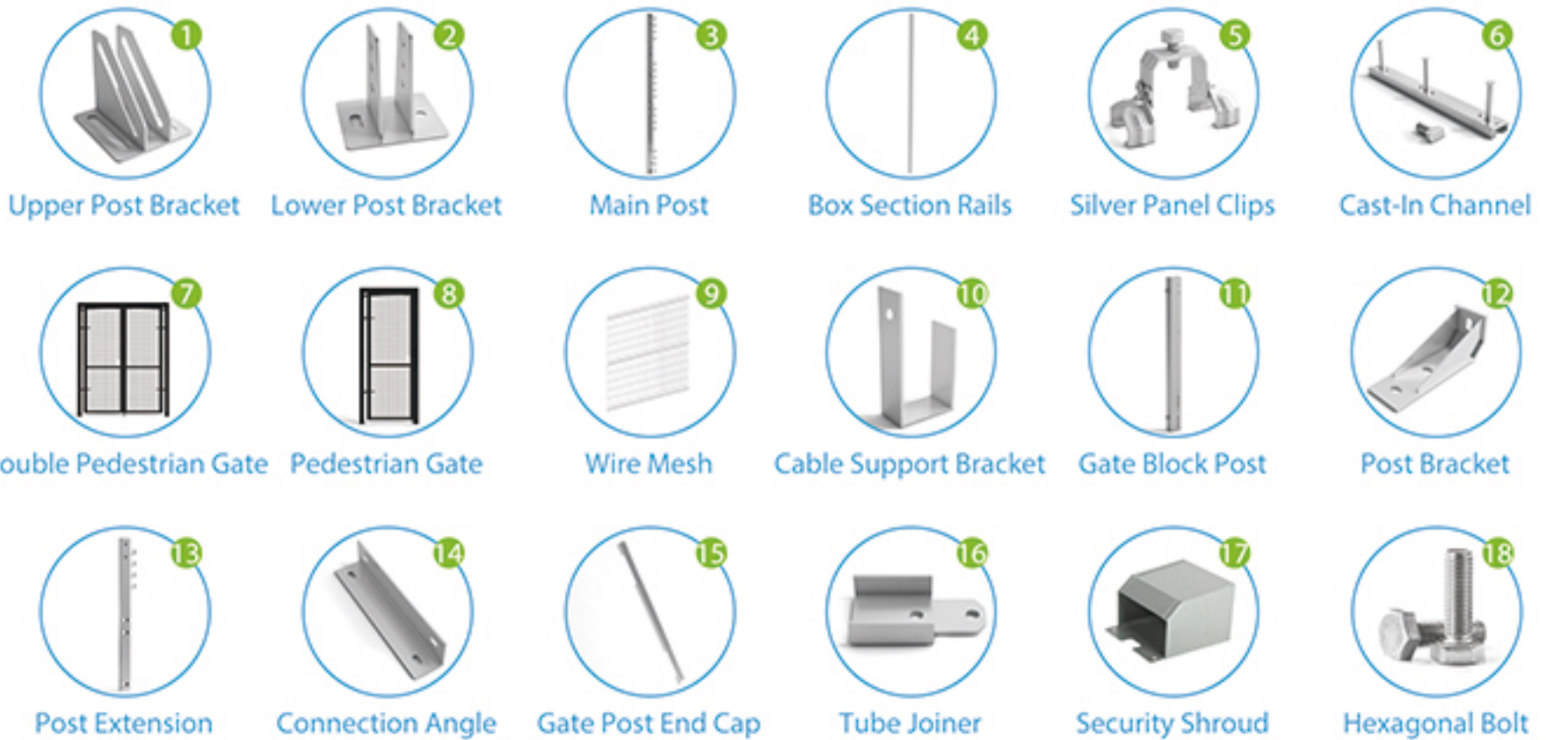
Site Hoarding System



Site Hoarding System

It's mainly used for protecting the surrounding area of the construction site, equipped with lighting and real-time monitoring of the surrounding and internal conditions of the construction site.

- Hot dip galvanizing EN ISO 1461 65µm
- Quick setup design
- Efficiently prevents individuals from entering hazardous zones
- Vehicle&pedestrian access gate with smart combination lock
- Equipped with lighting and cable brackets



Specification	Site Hoarding System
Item No	NX-SHS-001
Material	S235JR Steel
Weight	OEM
Surface finishing	Hot Dip Galvanized EN ISO 1461 65µm
Customized	Yes,According to your request



Specification	Upper Post Bracket
Item No	NXHS-001
Material	S235JR Steel
Size	150*138.5*4mm
Weight	1.45KG
Surface finishing	Hot Dip Galvanized EN ISO 1461 65µm



Specification	Lower Post Bracket
Item No	NXHS-002
Material	S235JR Steel
Size	100*132*4mm
Weight	1.24KG
Surface finishing	Hot Dip Galvanized EN ISO 1461 65µm



Specification	Main Post with Brackets
Item No	NXHS-003
Material	S235JR Steel
Size	SHS:40*80*3mm
Weight	14.2KG
Surface finishing	Hot Dip Galvanized EN ISO 1461 65µm



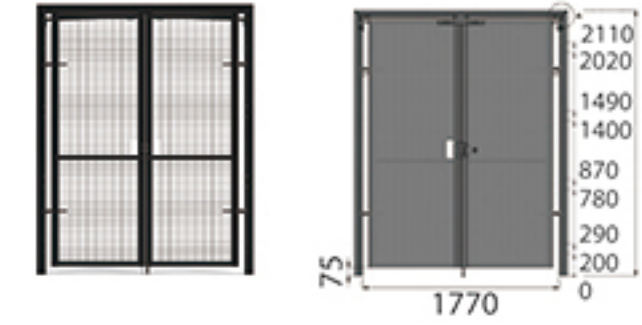
Commodity (40x40mm Box Section Rails)				
Size	2500mm	1800mm	1300mm	900mm
Item No	NXHS-004	NXHS-005	NXHS-006	NXHS-007
Weight (kgs)	8.2 kgs	6 kgs	4.4 kgs	3.2 kgs
Material	S235JR Steel	S235JR Steel	S235JR Steel	S235JR Steel
Surface Finishing	Hot Dip Galvanized	EN ISO 1461 65µm		



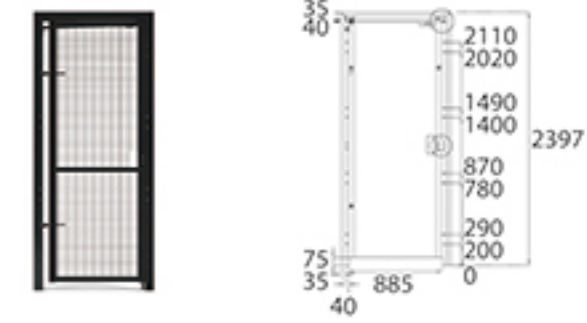
Specification	40mm Silver Panel Clips
Item No	NXHS-008
Size	For 40mm square tube
Material	S235JR Steel
Weight	0.12KG
Surface finishing	Electro Galvanized



Specification	38/17 Cast-In Channel
Item No	NXHS-009
Size	38/17-350mm T Bolt M16x30mm
Material	S235JR Steel
Weight	0.8KG
Surface finishing	Hot Dip Galvanized EN ISO 1461 65µm



Specification	Double Pedestrian Gate
Item No	NXHS-010
Size	High:2397mm*Width:1912mm
Material	S235JR Steel
Weight	146KG
Surface finishing	Black Powder Coating Hot Dip Galvanized EN ISO 1461 65µm



Specification	Pedestrian Gate
Item No	NXHS-011
Size	High:2397mm*Width:1034mm
Material	S235JR Steel
Weight	86 KG
Surface finishing	Black Powder Coating Hot Dip Galvanized EN ISO 1461 65µm



Specification	Wire Mesh
Item No	NXHS-012
Size	Diameter:Φ4.0mm Mesh Sheet:200*50mm
Material	S235JR Steel
Weight	0-100KG
Surface finishing	Powder Coating Hot Dip Galvanized EN ISO 1461 65µm



Specification	Cable Support Bracket
Item No	NXHS-013
Size	40*150*75*100*4mm
Material	S235JR Steel
Weight	0.44KG
Surface finishing	Hot Dip Galvanized EN ISO 1461 65µm



Specification	Vehicle Gate Block Post
Item No	NXHS-014
Size	120*200*2400mm
Material	S235JR Steel
Weight	48KG
Surface finishing	Hot Dip Galvanized EN ISO 1461 65µm



Specification	Vehicle Gate Block Post Bracket
Item No	NXHS-015
Size	300*100*10mm
Material	S235JR Steel
Weight	4KG
Surface finishing	Hot Dip Galvanized EN ISO 1461 65µm



Specification	600mm Post Extension
Item No	NXHS-016
Size	SHS:40*80*3*600mm
Material	S235JR Steel
Weight	8.6KG
Surface finishing	Hot Dip Galvanized EN ISO 1461 65µm



Specification	8mm Connection Angle
Item No	NXHS-017
Size	100*100*8*500mm
Material	S235JR Steel
Weight	5.6KG
Surface finishing	Hot Dip Galvanized EN ISO 1461 65µm



Specification	Vehicle Gate Post End Cap
Item No	NXHS-018
Size	170*60*3*2394mm
Material	S235JR Steel
Weight	11.15KG
Surface finishing	Hot Dip Galvanized EN ISO 1461 65µm



Specification	40mm Square Tube Joiner
Item No	NXHS-019
Size	Length:100mm
Material	S235JR Steel
Weight	0.2KG
Surface finishing	Hot Dip Galvanized EN ISO 1461 65µm



Specification	Security Shroud for Digital Lock
Item No	NXHS-020
Material	S235JR Steel
Weight	1.18KG
Surface finishing	Powder Coated Metallic Silver



Specification	Hexagonal Bolt for Cable Support Bracket
Item No	NXHS-021
Size	M12 x 25mm
Material	35K Steel Grade 8.8
Weight	0.033KG
Surface finishing	Electro Galvanized

Edge Protection System



Edge Protection System

Edge Protection System (also known as a fall prevention systems) used to secure building and construction edges, technological openings (e.g. elevators), roof edges, passageways and other areas where there is a risk of falling from height.

- BS EN 13374 Standard
- Quick setup design
- Hot dip galvanizing EN ISO 1461 65µm
- Robust defense line



Guardrail Post 1.2m



Guardrail Post 1.5m



Guardrail Post 1.8m



Guard Rail Post With Kick Board Hook



Safe Guard Base Plate



Concrete Insert Bracket



Support Hook



Wedge

Specification	Edge Protection System
Item No	NX-PS-001
Material	S355JR Steel
Weight	OEM
Surface finishing	Hot Dip Galvanized or Powder Coat
Customized	Yes, According to your request

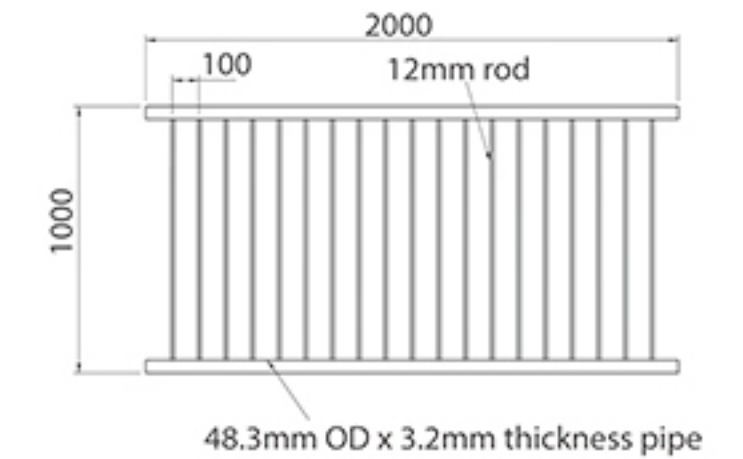


Specification	1.2m Guardrail Post
Item No	NX-EPS-001
Material	S355JR Steel
Weight	3.05KG
Surface finishing	Hot Dip Galvanized or Powder Coat
Specification	1.5m Guardrail Post
Item No	NX-EPS-002
Material	S355JR Steel
Weight	4.2KG
Surface finishing	Hot Dip Galvanized or Powder Coat
Specification	1.8m Guardrail Post
Item No	NX-EPS-003
Material	S355JR Steel
Weight	5.38KG
Surface finishing	Hot Dip Galvanized or Powder Coat
Specification	1.2m Guardrail Post with KickBoard Hook
Item No	NX-EPS-004
Material	S355JR Steel
Weight	3.04KG
Surface finishing	Hot Dip Galvanized or Powder Coat
Specification	Safe Guard Base plate
Item No	NX-EPS-005
Material	S235JR Steel
Weight	1.68KG
Surface finishing	Electro Galvanized
Specification	Concrete Insert bracket
Item No	NX-EPS-006
Material	S355JR Steel
Weight	1.8KG
Surface finishing	Self Finish with Anti-rust Water
Specification	Support hook
Item No	NX-EPS-007
Material	S235JR Steel
Weight	2.15KG
Surface finishing	Hot Dip Galvanized
Specification	Wedge
Item No	NX-EPS-008
Material	S355JR Steel
Weight	0.17KG
Surface finishing	Hot Dip Galvanized



PEDESTRIAN BARRIER PANEL

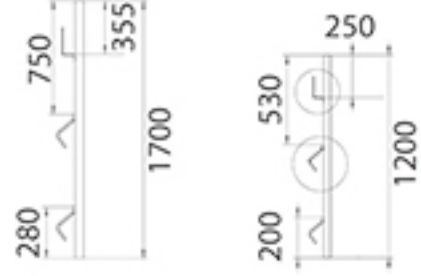
Pedestrian Barrier Panel, 2000mm wide*1000mm high -heavy hot dip galvanized after welding, 40NB(48mmOD), medium rails, 12mm rod pickets, 2000mm width*1000mm height, Commonly used for rails on pedestrian safety barriers, Complies with AS1074 standards



Specification	Pedestrian Barrier Panel 2000mm wide*1000mm high
Item No	NX-PBP-001
Material	S235JR
Size	2000mm width*1000mm height, OD:48mm
Weight	35KG
Surface finishing	Hot Dip Galvanized



Accessories for Security Fencing System



Specification	1.2m/1.7m Baluster Post
Item No	NX-EPS-009
Material	S235JR 40mm X 1.5mm Tube
Weight	2.15/3.5KGS
Surfacefinishing	Electro Galvanized

Specification	600mm Post Extension
Item No	NXHS-016
Material	S235JR Steel
Weight	8.6KG
Size	SHS:40*80*3*600mm
Surface finishing	Hot Dip Galvanized EN ISO 1461 65µm

Specification	Main Post with Brackets
Item No	NXHS-003
Material	S235JR Steel
Size	SHS:40*80*3mm
Weight	14.2KG
Surface finishing	Hot Dip Galvanized EN ISO 1461 65µm

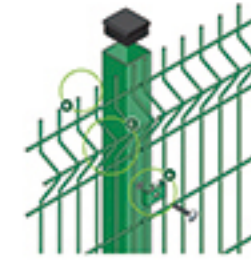
Specification	Vehicle Gate Block Post
Item No	NXHS-014
Size	120*200*2400mm
Material	S235JR Steel
Weight	48KG
Surface finishing	Hot Dip Galvanized EN ISO 1461 65µm

Specification	1.2m Guardrail Post
Item No	NX-EPS-001
Material	S355JR Steel
Weight	3.05KG
Surface finishing	Hot Dip Galvanized or Powder Coat

Specification	1.5m Guardrail Post
Item No	NX-EPS-002
Material	S355JR Steel
Weight	4.2KG
Surface finishing	Hot Dip Galvanized or Powder Coat

Specification	358 Mesh Fence
Item No	NX-CSPS-003
Material	S235JR Steel
Size	Diameter:Ø4.0mm Mesh sheet:12.7*76.2mm
Surface finishing	Powder Coat or HDG

Specification	Twin Wire Mesh
Item No	NX-CSPS-021
Material	S235JR Steel
Size	Diameter:Ø6/5/6mm Mesh Sheet:50*200mm
Surface finishing	Powder Coat or HDG



Specification	V Mesh Fencing
Item No	NX-CSPS-022
Material	S235JR Steel
Size	Diameter:Ø4mm Mesh Sheet:50*200mm
Surface finishing	Powder Coat or HDG



Specification	P Type Fencing
Item No	NX-CSPS-023
Material	S235JR Steel
Size	Diameter Ø5mm Mesh Sheet:50*150mm
Surface finishing	Powder Coat or HDG



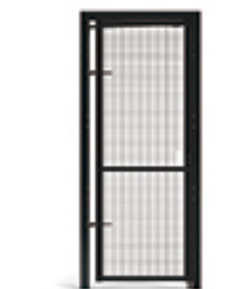
Specification	Lower Post Bracket
Item No	NXHS-002
Material	S235JR Steel
Size	100*132*4mm
Weight	1.24KG
Surface finishing	Hot Dip Galvanized EN ISO 1461 65µm



Specification	Upper Post Bracket
Item No	NXHS-001
Material	S235JR Steel
Size	150*138.5*4mm
Weight	1.45KG
Surface finishing	Hot Dip Galvanized EN ISO 1461 65µm



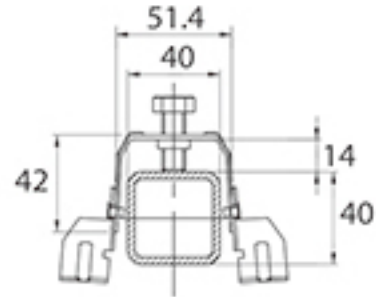
Specification	Vehicle Gate Block Post Bracket
Item No	NXHS-015
Size	300*100*10mm
Material	S235JR Steel
Weight	4KG
Surface finishing	Hot Dip Galvanized EN ISO 1461 65µm



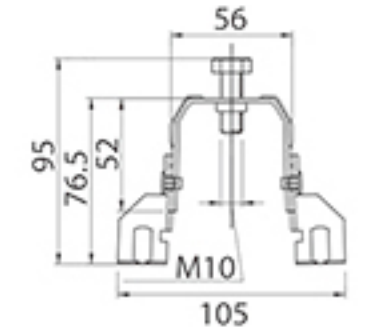
Specification	Single Pedestrian Gate
Item No	NXHS-011
Size	High:2397mm*Width:1034mm
Material	S235JR Steel
Weight	86 KG
Surface finishing	Hot Dip Galvanized EN ISO 1461 65µm Black Powder Coating



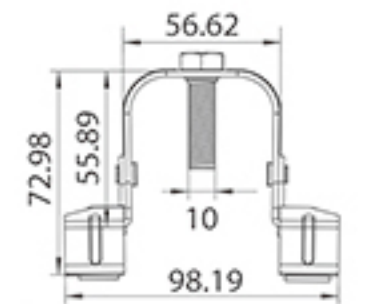
Specification	Double Pedestrian Gate
Item No	NXHS-010
Size	High:2397mm*Width:1912mm
Material	S235JR Steel
Weight	146KG
Surface finishing	Hot Dip Galvanized EN ISO 1461 65µm Black Powder Coating



Specification	Silver Panel Clips
Item No	NXHS-008
Size	For 40mm square tube
Material	S235JR Steel
Weight	0.12KG
Surface finishing	Electro Galvanized



Specification	Yellow Panel Clips
Item No	NXHS-022
Size	48mm round tube
Material	S235JR Steel
Weight	0.12KG
Surface finishing	Yellow Electro Plated



Specification	Fencing Clip
Item No	NXHS-024
Size	48mm round tube
Material	S235JR Steel
Weight	0.13KG
Surface finishing	Yellow Electro Plated



Specification	358 Mesh Panel Clips
Item No	NX-CSPS-009
Size	61*31mm
Material	S235JR Steel
Weight	0.04KG
Surface finishing	Hot Dip Galvanized EN ISO 1461 65µm



Specification	Cast-In Channel
Item No	NXHS-009
Size	38/17-350mm T Bolt M16x30mm
Material	S235JR Steel
Weight	0.8KG
Surface finishing	Hot Dip Galvanized EN ISO 1461 65µm



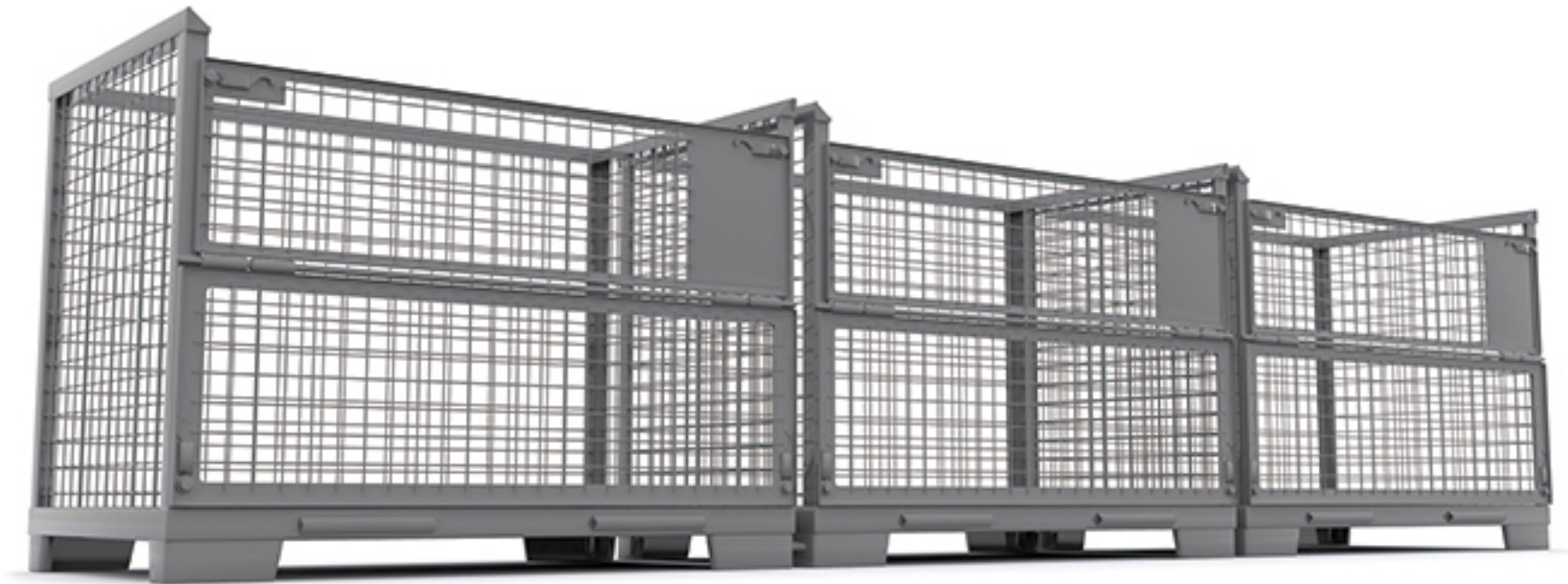
Specification	Toothed Cast-In Channel
Item No	NXHS-023
Size	38/23-550mm Toothed T Bolt M16*45mm
Material	S235JR Steel
Weight	1.85KG
Surface finishing	Hot Dip Galvanized EN ISO 1461 65µm



Item No.	Coach Bolts	Coach Bolts	Nylock Nuts	Washers	Coach Bolts	Nylock Nuts	Washers
Specification (mm)	M8x60mm	M8x100mm	M8	M8	M10x80mm	M10	M10
Weight (kgs)	0.026	0.038	0.005	0.002	0.05	0.01	0.004
Surface Finishing	Electro Galvanized						



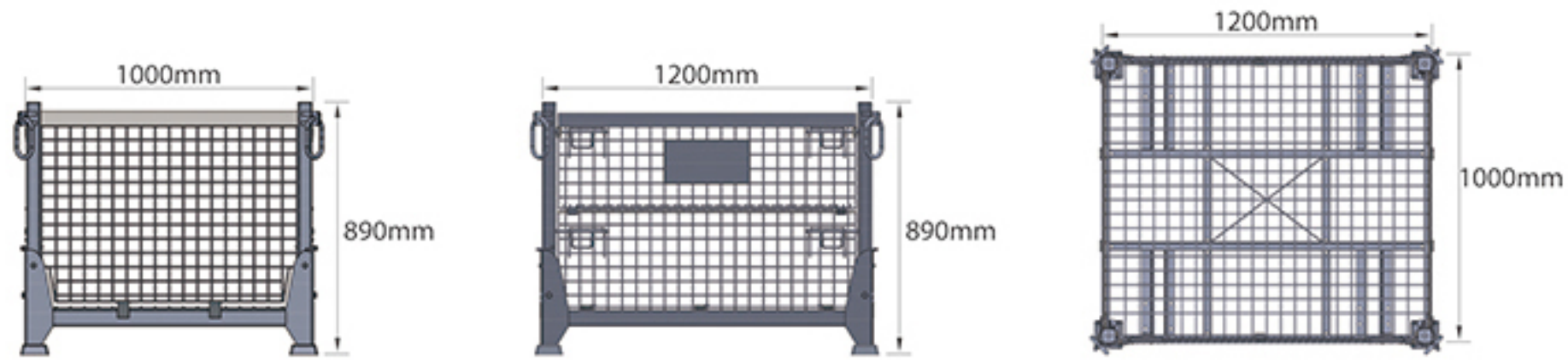
Specification	Bolt Grade 8.8					
Item No. (mm)	M16x30	M16x60	M16x70	M16x100	M12x25	M12x70
Weight(kgs)	0.075kgs	0.114kgs	0.127kgs	0.166kgs	0.033kgs	0.064kgs
Material	10B21/35K	10B21/35K	10B21/35K	10B21/35K	10B21/35K	10B21/35K
Surface Finishing	Electro Galvanized					



STILLAGE

Stillage refers to a type of storage or transport container made from folded or welded steel, used for transport, mechanical handling by fork-lift and hand-pallet trucks, and for Bulk storage in stacks, storage

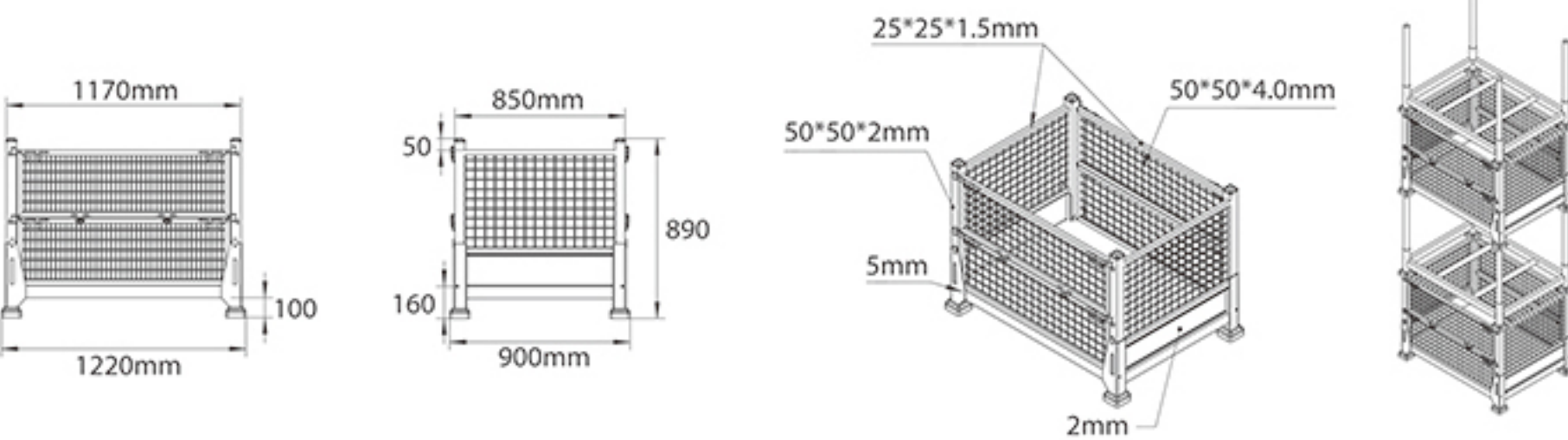
- BS EN 13626 Standard
- Hot dip galvanizing EN ISO 1461 65µm or Powder coated
- Collapsible or detachable
- Repeated use & rack stacking
- Make goods easier to transport or storage



Specification	Japanese Storage Pallet
Item No	NX-SS-001
Size(mm)	L1200xW1000xH890mm
Weight	104KG
Surface finishing	Hot Dip Galvanized
Loading Capacity	2000KGS



Specification	Wire Mesh Basket
Item No	NX-SS-002
Size(mm)	L1200xW800xH860mm
Weight	103KG
Surface finishing	Hot Dip Galvanized or Powder coated
Loading Capacity	2000KGS



Specification	Folded Steel Stillage
Item No	NX-SS-003
Size(mm)	L1220xW900xH890mm
Weight	75KG
Surface finishing	Hot Dip Galvanized or Powder coated
Loading Capacity	1500KGS



Specification	Wire Mesh Racks
Item No	NX-SS-004
Size(mm)	L850xW850xH700mm
Weight	59KG
Surface finishing	Hot Dip Galvanized or Powder coated
Loading Capacity	1500KGS



Specification	Folded Steel Stillage
Item No	NX-SS-005
Size(mm)	L1100xW1400xH1000mm
Weight	56KG
Surface finishing	Hot Dip Galvanized or Powder coated
Loading Capacity	1000KGS



Specification	Folded Steel Stillage
Item No	NX-SS-006
Size(mm)	L1250xW850xH850mm
Weight	43KG
Surface finishing	Hot Dip Galvanized or Powder coated
Loading Capacity	1000KGS



Specification	Panel Stillage
Item No	NX-SS-007
Size(mm)	L1400xW1100xH1480mm
Weight	63KG
Surface finishing	Hot Dip Galvanized or Powder coated
Loading Capacity	1250KGS



Specification	Panel Stillage
Item No	NX-SS-008
Size(mm)	L1500xW1100xH1500mm
Weight	80KG
Surface finishing	Hot Dip Galvanized or Powder coated
Loading Capacity	1300KGS



Specification	Steel Stillage
Item No	NX-SS-009
Size(mm)	L2200xW1500xH1500mm
Weight	123KG
Surface finishing	Hot Dip Galvanized or Powder coated
Loading Capacity	1500KGS



Specification	Post and Rail Stillage
Item No	NX-SS-010
Size(mm)	L650xW650xH650mm
Weight	22KG
Surface finishing	Hot Dip Galvanized or Powder coated
Loading Capacity	1500KGS



Specification	Vehicle Gate Stillage
Item No	NX-SS-011
Size(mm)	L3100xW1400xH350mm
Weight	68KG
Surface finishing	Hot Dip Galvanized or Powder coated
Loading Capacity	750KGS



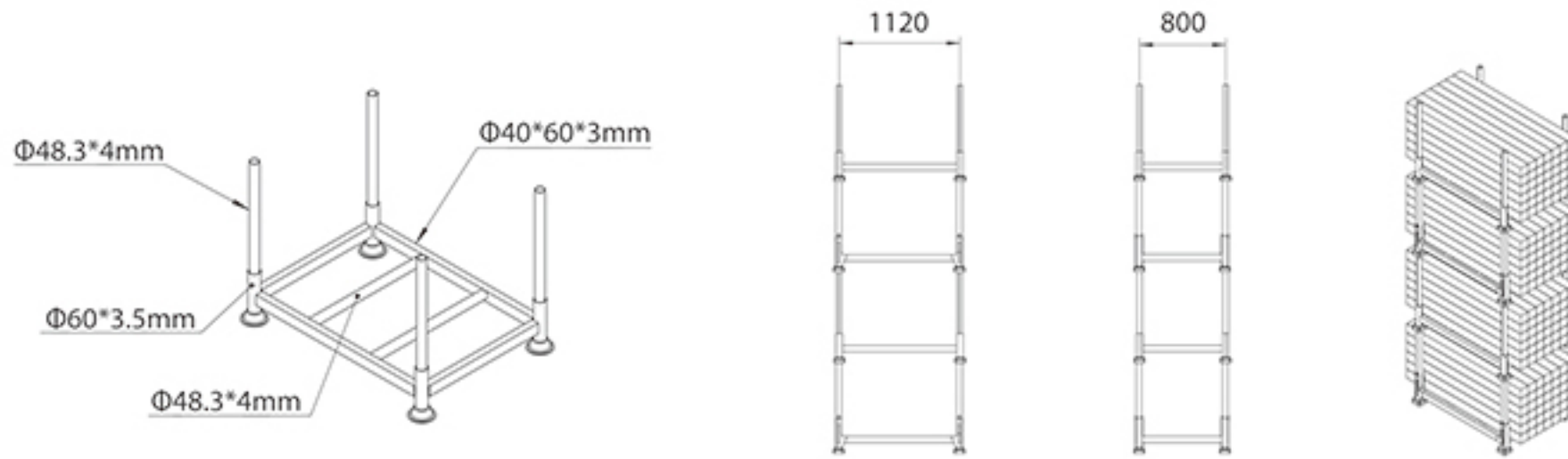
Specification	Turnstile Base
Item No	NX-SS-012
Size(mm)	L1500xW1400mm
Weight	49.6KG
Surface finishing	Hot Dip Galvanized or Powder coated
Loading Capacity	1000KGS



Specification	Twin Wire Mesh Stillage
Item No	NX-SS-013
Size(mm)	L2280xW1210xH670mm
Weight	81KG
Surface finishing	Hot Dip Galvanized or Powder coated
Loading Capacity	750KGS



Specification	Dismantled Twin Wire Mesh Stillage
Item No	NX-SS-014
Size(mm)	L2500xW1820xH1200mm
Weight	128KG
Surface finishing	Hot Dip Galvanized or Powder coated
Loading Capacity	800KGS



Specification	Dismantled Round Tube Stillage
Item No	NX-SS-015
Size(mm)	L1220xW900xH890mm
Weight	45KG
Surface finishing	Hot Dip Galvanized or Powder coated
Loading Capacity	1000KGS

Specification	Dismantled Round Tube Stillage
Item No	NX-SS-016
Size(mm)	L1220xW900xH890mm
Weight	45KG
Surface finishing	Hot Dip Galvanized or Powder coated
Loading Capacity	1000KGS



SCAFFOLDING COUPLER

Scaffolding couplers are used to join two scaffold tubes at various angles, providing a secure and stable connection.

- BS EN74-1-2022 CLASS BB Standard
- Hot dip galvanizing EN ISO 1461 65µm or electro galvanized
- Fixed or swivel type
- Easy of operation and portability
- A strong and reliable connection



Specification	Scaffolding D/F Double Coupler
Item No	NX4848DC
Size	48*48MM
Weight	1.15KG
Surface finishing	Electro Galvanized/Hot Dip Galvanized



Specification	Scaffolding Swivel Coupler
Item No	NX4848SC
Size	48*48MM
Weight	1.35KG
Surface finishing	Electro Galvanized/Hot Dip Galvanized



Specification	Scaffolding Right Angle Coupler
Item No	NX4876DC
Size	48*76MM
Weight	1.68KG
Surface finishing	Electro Galvanized/Hot Dip Galvanized



Specification	Scaffolding Rotating Coupler
Item No	NX4876SC
Size	48*76MM
Weight	2.05KG
Surface finishing	Electro Galvanized/Hot Dip Galvanized



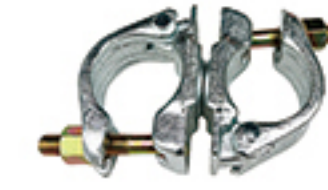
Specification	Scaffolding Fixed Coupler
Item No	NX4889DC
Size	48*89MM
Weight	2.27KG
Surface finishing	Electro Galvanized/Hot Dip Galvanized



Specification	Scaffolding Swivel Coupler
Item No	NX4889SC
Size	48*89MM
Weight	2.67KG
Surface finishing	Electro Galvanized/Hot Dip Galvanized



Specification	Scaffolding Fixed Coupler
Item No	NX6060DC
Size	60*60MM
Weight	1.5KG
Surface finishing	Electro Galvanized/Hot Dip Galvanized



Specification	Scaffolding Swivel Coupler
Item No	NX6060SC
Size	60*60MM
Weight	1.75KG
Surface finishing	Electro Galvanized/Hot Dip Galvanized



Specification	Scaffolding 90 degree Coupler
Item No	NX6076DC
Size	60*76MM
Weight	1.91KG
Surface finishing	Electro Galvanized/Hot Dip Galvanized



Specification	Scaffolding Swivel Coupler
Item No	NX6076SC
Size	60*76MM
Weight	2.07KG
Surface finishing	Electro Galvanized/Hot Dip Galvanized



Specification	Scaffolding Double Coupler
Item No	NX6089DC
Size	60*89MM
Weight	2.5KG
Surface finishing	Electro Galvanized/Hot Dip Galvanized



Specification	Scaffolding Swivel Coupler
Item No	NX6089SC
Size:	60*89MM
Weight	2.78KG
Surface finishing	Electro Galvanized/Hot Dip Galvanized



Specification	Scaffolding Swivel Coupler
Item No	NX7676SC
Size	76*76MM
Weight	2.23KG
Surface finishing	Electro Galvanized/Hot Dip Galvanized



Specification	Scaffolding Swivel Coupler
Item No	NX7689SC
Size	76*89MM
Weight:	3.07KG
Surface finishing	Electro Galvanized/Hot Dip Galvanized



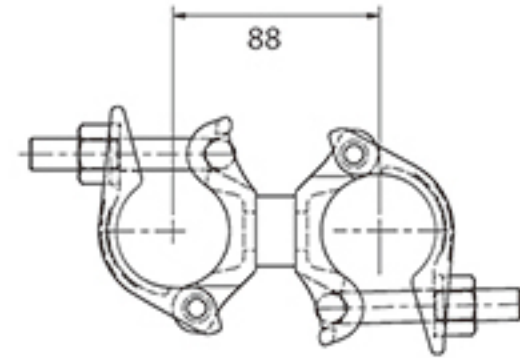
Specification	Scaffolding Half Coupler
Item No	NX76HC
Size	76MM
Weight	1.2KG
Surface finishing	Electro Galvanized/Hot Dip Galvanized



Specification	Scaffolding Single Coupler With Wing Nut
Item No	NX76HC
Size	76MM
Weight:	1.22KG
Surface finishing	Electro Galvanized/Hot Dip Galvanized



Specification	Paralleled Coupling
Item No	NX4848PC
Size	48*48MM
Weight:	1.4KG
Surface finishing	Electro Galvanized/Hot Dip Galvanized



Specification	Lift Crane Coupler
Item No	NXLCC001
Size	Plate:92*36*10mm,Two half couplers for 48.3mm tube
Weight	1.52KG
Surface finishing	Electro Galvanized/Hot Dip Galvanized



Specification	Lift Crane Coupler
Item No	NXLCC002
Size	Plate:40*160*20*20*12mm,Three half couplers for 48.3mm tube
Weight	2.1 KGS
Surface finishing	Electro Galvanized/Hot Dip Galvanized



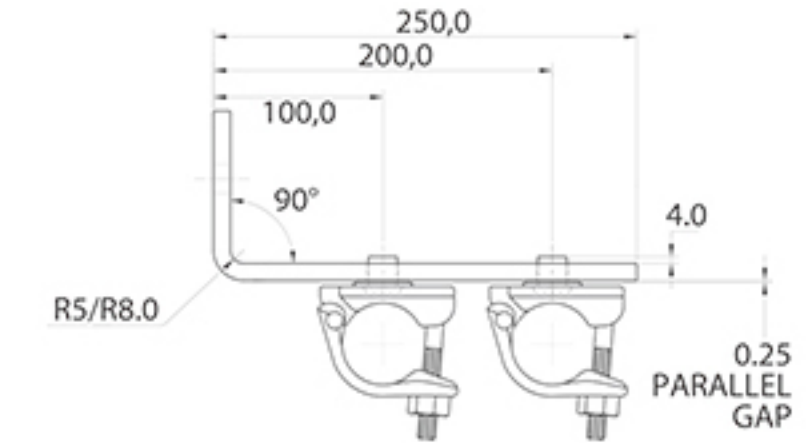
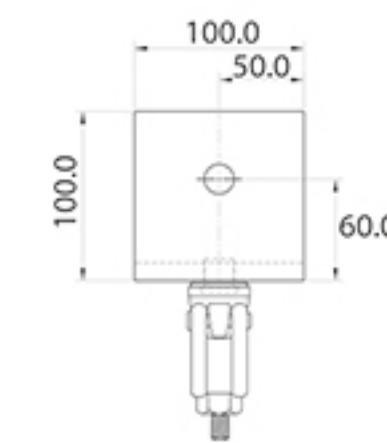
Specification	Wall Tie Bracket
Item No	NXWTB001
Size	100*100*10*100mm,Single half coupler for 48.3mm tube
Weight	2.0 KGS
Surface finishing	Electro Galvanized/Hot Dip Galvanized



Specification	Wall Tie Bracket
Item No	NXWTB002
Size	250*100*10*333mm,Single half coupler for 48.3mm tube
Weight	3.1 KGS
Surface finishing	Electro Galvanized/Hot Dip Galvanized



Specification	Wall Tie Bracket
Item No	NXWTB003
Size	250*100*10*333mm,Two half couplers for 48.3mm tube
Weight	3.65 KGS
Surface finishing	Electro Galvanized/Hot Dip Galvanized



Specification	Scaffolding Ladder Bracket
Item No	NXSLB001
Size	Span:300mm,single coupler for 48.3mm tube
Weight	3.38KG
Surface finishing	Electro Galvanized



Specification	Scaffolding Ladder Bracket
Item No	NXSLB002
Size	Span:400mm,single coupler for 48.3mm tube
Weight	3.44KG
Surface finishing	Electro Galvanized



Specification	Fork Head
Item No	NXFH001
Size	Width:145mm,Length:230mm,Height:170mm
Weight	2.3KG
Surface finishing	Electro Galvanized

SCAFFOLDING SCREW JACK

Make scaffolding more sturdy and safe to use with peace of mind

SCAFFOLDING SCREW JACK

Scaffolding Screw Jack is used in scaffolding systems to adjust the height and level of scaffolding structures.

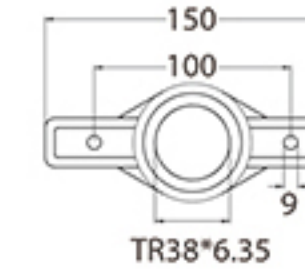
-  Hot dip galvanizing EN ISO 1461 65µm or electro galvanized
-  Fixed or swivel type
-  Q355B Seamless Steel Tube



Specification	Casting Nut
Item No	NXC�001
Size	Length:200MM,Diameter:48mm
Weight	1.02KG
Surface finishing	Electro Galvanized/Hot Dip Galvanized



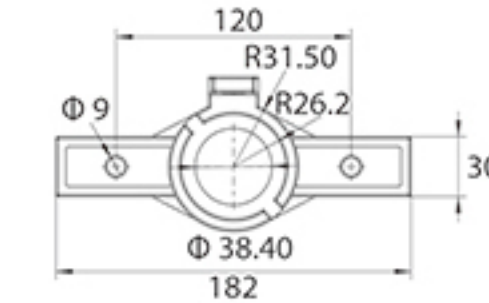
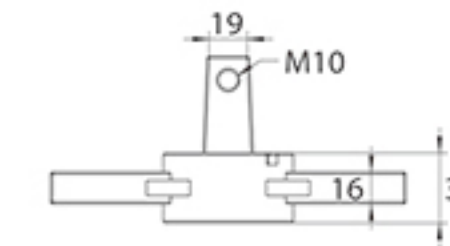
Specification	Casting Nut
Item No	NXC�002
Size	Length:150MM,Diameter:38mm
Weight	0.52KG
Surface finishing	Electro Galvanized/Hot Dip Galvanized



Specification	Casting Nut
Item No	NXC�003
Size	Length:150MM,Diameter:38mm
Weight	0.545KG
Surface finishing	Electro Galvanized/Hot Dip Galvanized



Specification	Casting Nut
Item No	NXC�004
Size	Length:180MM,Diameter:38mm,Match to M10 bolt
Weight	0.963KG
Surface finishing	Electro Galvanized/Hot Dip Galvanized



Specification	Hollow Scaffolding Screw Jack
Item No	NXSBJ001
Size	Diameter:38mm,Length:520mm,Plate Size:150*150*5mm
Weight	3.73KG
Surface finishing	Electro Galvanized/Hot Dip Galvanized



Specification	Hollow Scaffolding Screw Jack
Item No	NXSBJ002
Size	Diameter:38mm,Length:570mm,Plate Size:150*150*5mm
Weight	3.4KG
Surface finishing	Electro Galvanized/Hot Dip Galvanized



Specification	Solid Scaffolding Screw Jack
Item No	NXSBJ003
Size	Diameter:32mm,Length:600mm,Plate Size:120*120*5mm
Weight	5.55KG
Surface finishing	Electro Galvanized/Hot Dip Galvanized



Specification	Scaffolding Swivel Screw Jack
Item No	NXSBJ004
Size	Diameter:38mm,Length:700mm,Plate Size:150*150*5mm
Weight	4.35KG
Surface finishing	Electro Galvanized/Hot Dip Galvanized



Specification	Seamless Tube
Item No	NXSBJ005
Size	Length:Customized,Tube:38*5mm
Weight	S355JR
Surface finishing	Black Self





SCAFFOLDING C TYPE CLAMPS

Make scaffolding more sturdy and safe to use with peace of mind



SCAFFOLDING C TYPE CLAMPS

Scaffolding C Type Clamps are used for connected to the steel beam, while the other side can be attached with the scaffolding clamps, make installation easy.

-  45# Steel Material with heating treatment
-  Clamping rang 38,51,65,105mm
-  Quick installation and high durability
-  Forged one-piece type sturdy welding with a ring



Specification	Scaffolding C Type Clamps
Item No	NXCTC3801
Opening Size	38MM
Material	Body:45# Steel Bolt:40cr Steel
Weight	0.56KG
Surface finishing	Colour Electro Galvanizing



Specification	Scaffolding C Type Clamps
Item No	NXCTC3802
Opening Size	38MM
Material	Body:45# Steel Bolt:40cr Steel
Weight	0.50KG
Surface finishing	Colour Electro Galvanizing



Specification	Scaffolding C Type Clamps
Item No	NXCTC3803
Opening Size	38MM
Material	Body:45# Steel Bolt:40cr Steel
Weight	0.45KG
Surface finishing	Colour Electro Galvanizing



Specification	Scaffolding C Type Clamps
Item No	NXCTC3804
Opening Size	38MM
Material	Body:45# Steel Bolt:40cr Steel
Weight	0.68KG
Surface finishing	Colour Electro Galvanizing



Specification	Scaffolding C Type Clamps
Item No	NXCTC3805
Opening Size	38MM
Material	Body:45# Steel Bolt:40cr Steel
Weight	0.66KG
Surface finishing	Colour Electro Galvanizing



Specification	Scaffolding C Type Clamps
Item No	NXCTC3806
Opening Size	65MM
Material	Body:45# Steel Bolt:40cr Steel
Weight	1.2KG
Surface finishing	Colour Electro Galvanizing



Specification	Scaffolding C Type Clamps
Item No	NXCTC3807
Opening Size	105MM
Material	Body:45# Steel Bolt:40cr Steel
Weight	1.45KG
Surface finishing	Colour Electro Galvanizing

SCAFFOLDING LEDGER END

Make scaffolding more sturdy and safe to use with peace of mind



SCAFFOLDING LEDGER END

Scaffolding Ledger End is welded at two sides of ringlock ledger, designed to connect other scaffolding elements to ensure the stability and safety of the entire scaffolding structure.

-  Lost Wax Casting
-  25# Steel Material
-  Rust-proof Treatment
-  100% Full Inspection
-  Wooden Case Packing



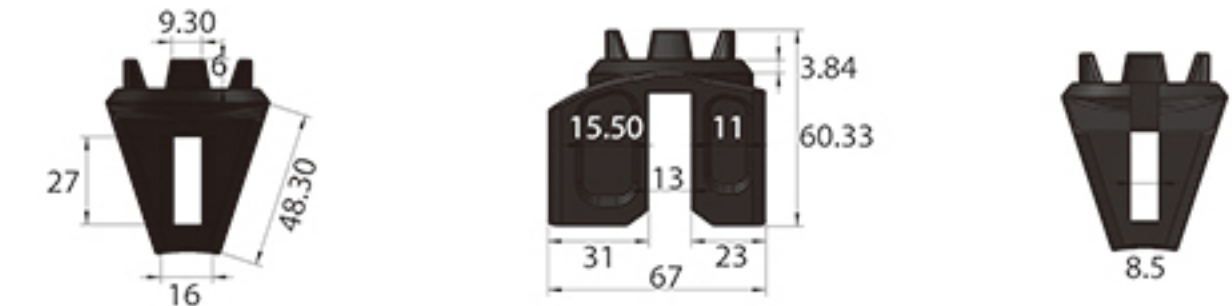
Specification	Scaffolding Ledger End
Item No	NXLE001
Material	25# Steel
Weight	0.65KG
Surface finishing	Self Black/Electro Galvanized
Package	1850pcs/wooden box



Specification	Scaffolding Ledger End
Item No	NXLE002
Material	25# Steel
Weight	0.36KG
Surface finishing	Self Black
Package	3000pcs/wooden box



Specification	Scaffolding Ledger End
Item No	NXLE003
Material	25# Steel
Weight	0.48KG
Surface finishing	Self Black
Package	2500pcs/wooden box



Name	Scaffolding Ledger End
Item No	NXLE004
Material	25# Steel
Weight	0.48KG
Surface finishing	Self Black
Package	2500pcs/wooden box



Name	Scaffolding Ledger End
Item No	NXLE005
Material	25# Steel
Weight	0.50KG
Surface finishing	Self Black
Package	2400pcs/wooden box



Name	Scaffolding Ledger End
Item No	NXLE006
Material	25# Steel
Weight	0.50KG
Surface finishing	Self Black
Package	2400pcs/wooden box



Specification	Scaffolding Ledger End
Item No	NXLE007
Material	25# Steel
Weight	0.58KG
Surface finishing	Self Black
Package	2000pcs/wooden box



Specification	Scaffolding Ledger End
Item No	NXLE008
Material	25# Steel
Weight	0.62KG
Surface finishing	Self Black
Package	1900pcs/wooden box



Name	Forged Wedge Pin For Ledger End
Item No	NXWP-001
Size	Length:136mm
Material	S235JR Steel
Weight	0.094KG
Surface finishing	Electro Galvanized/Hot Dip Galvanized



Name	Wedge Pin For Ledger End
Item No	NXWP-002
Size	Length:140mm,Thickness:6.5mm
Material	S355JR Steel
Weight	0.123KG
Surface finishing	Electro Galvanized/Hot Dip Galvanized



Name	Wedge Pin For Ledger End
Item No	NXWP-003
Size	Length:140mm,Thickness:7.0mm
Material	S355JR Steel
Weight	0.164KG
Surface finishing	Electro Galvanized/Hot Dip Galvanized



Name	Wedge Pin For Ledger End
Item No	NXWP-004
Size	Length:137mm,Thickness:6.0mm
Material	S355JR Steel
Weight	0.123KG
Surface finishing	Electro Galvanized/Hot Dip Galvanized



Name	Wedge Pin For Ledger End
Item No	NXWP-005
Size	Length:140mm,Thickness:6.0mm
Material	S355JR Steel
Weight	0.121KG
Surface finishing	Electro Galvanized/Hot Dip Galvanized



Name	Rosette for Ringlock Scaffolding
Item No	NXR001
Size	Diameter:123mm,Thickness:9.75mm
Material	S355JR Steel
Weight	0.5KG
Surface finishing	Heating Treatment



Name	Rosette for Ringlock Scaffolding
Item No	NXR002
Size	Diameter:123mm,Thickness:9.75mm
Material	S355JR Steel
Weight	0.45KG
Surface finishing	Heating Treatment



PERGOLA KITS

Make contributions to building a beautiful home



PERGOLA KITS

For Wooden Beams of Garden Construction. Which is used for modern Outdoor Pergola Hardware Kit DIY Elevated Wood Stand Kit.

- Specification:4"x4"and 6"x6"
- Quick installation
- Withstand water,corrosion,and abrasion
- Laser Welding



Specification	Pergola Kit Square box
Item No	NXPKB001
Size	4"x4",Thickness:2mm,Tope connection size(LxW) :96x96mm, Bottom connection size(LxWxH): 92x167x140mm
Weight	0.73KG
Surface finishing	Powder Coating



Specification	Pergola Kit Post Base
Item No	NXPKB002
Size	4"x4",Thickness:2mm,Tope connection size(LxW):100x100mm Bottom connection size(LxWxH) :175x175x140mm
Weight	1.15KG
Surface finishing	Powder Coating



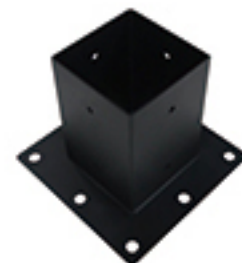
Specification	3-Way Pergola Brackets
Item No	NXPKB003
Size	4"x4",Thickness:2mm,Tope connection size(LxWxH) :200x200x160mm Bottom connection size(LxW): 100x100mm
Weight	2KG
Surface finishing	Powder Coating



Specification	4-Way Pergola Brackets
Item No	NXPKB004
Size	4"x4",Thickness:2mm,Tope connection size(LxW):335.5x95.5mm Bottom connection size(LxW) :95.5x95.5mm
Weight	2.8KG
Surface finishing	Powder Coating



Specification	Pergola Kit Square box
Item No	NXPKB005
Size	6"x6",Thickness:2mm,Tope connection size(LxW):147x147mm Bottom connection size(LxWxH) :140x217x140mm
Weight	1.15KG
Surface finishing	Powder Coating



Specification	Pergola Kit Post Base
Item No	NXPKB006
Size	6"x6",Thickness:2mm,Tope connection size(LxW): 150*150mm Bottom connection size(LxWxH) :225x225x140mm
Weight	1.8KG
Surface finishing	Powder Coating



Specification	3-Way Pergola Brackets
Item No	NXPKB007
Size	6"x6",Thickness:2mm,Tope connection size(LxW): 150*150mm Bottom connection size(LxWxH) :225x225x140mm
Weight	3.45KG
Surface finishing	Powder Coating



Specification	4-Way Pergola Brackets
Item No	NXPKB008
Size	6"x6",Thickness:2mm,Tope connection size(LxW): 150*150mm Bottom connection size(LxWxH) :225x225x140mm
Weight	4.4KG
Surface finishing	Powder Coating



Specification	2*4 Bracket
Item No	NXPKB009
Size	Length:97mm,Width:49mm,Height:150mm
Weight	0.5KG
Surface finishing	Powder Coating



BOX GUTTERS

It was designed and produced by our company are primarily utilized for drainage purposes on the roofs and floors of industrial plants. With delicate design, they facilitate multi angle drainage, thereby maximizing drainage efficiency.

- Multi angle drainage
- Sturdy and durable
- Anti-corrosion and rust resistant
- Pre-galvanizing and powder Coating
- Laser cutting and Laser welding



Specification	Box Gutter Outlet
Item No	NX-BG-001
Material	S235BJR
Weight	0.94KG
Surface finishing	Powder Coated RAL 7016



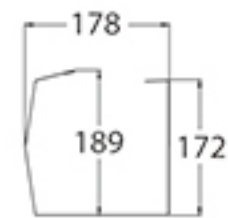
Specification	Internal Joiner
Item No	NX-BG-002
Size(mm)	S235BJR
Weight	0.25KG
Surface finishing	Powder Coated RAL 7016



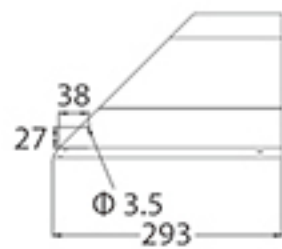
Specification	Left End Cap
Item No	NX-BG-003
Size(mm)	S235BJR
Weight	0.26KG
Surface finishing	Powder Coated RAL 7016



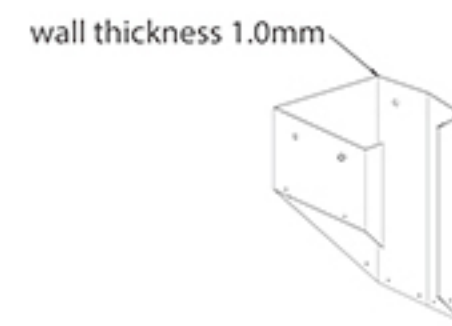
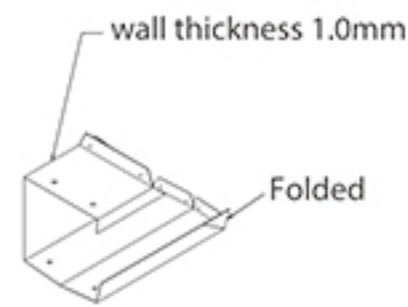
Specification	Right Angle Gutter
Item No	NX-BG-004
Size(mm)	S235BJR
Weight	1.37KG
Surface finishing	Powder Coated RAL 7016



Side view



Vertical view



Specification	Right End Cap
Item No	NX-BG-005
Size(mm)	S235BJR
Weight	0.26KG
Surface finishing	Powder Coated RAL 7016



Specification	Straight Gutter
Item No	NX-BG-006
Size(mm)	S235BJR
Weight	9.4KG
Surface finishing	Powder Coated RAL 7016



Specification	Bolt&Nut Kits
Item No	NX-BG-007
Size(mm)	Stainless Steel
Weight	0.12KG
Surface finishing	Self Color

